



The Finlay® 674 inclined screen is a compact easily transportable machine that offers operators rapid set up and tear down times. The screenbox features three decks giving a large screening area of 170ft<sup>2</sup> to provide efficient screening even at small fractions and high capacity.

The screenbox features quick wedge tensioning, access holes and bottom deck hydraulic tensioning system to reduce time required for mesh changes. All four discharge conveyors are adjustable and hydraulically fold for transport.

The fourth product 'oversize plus' conveyor has variable tilt and side slew to accurately discharge material for recirculation to crushers or for stockpiling.

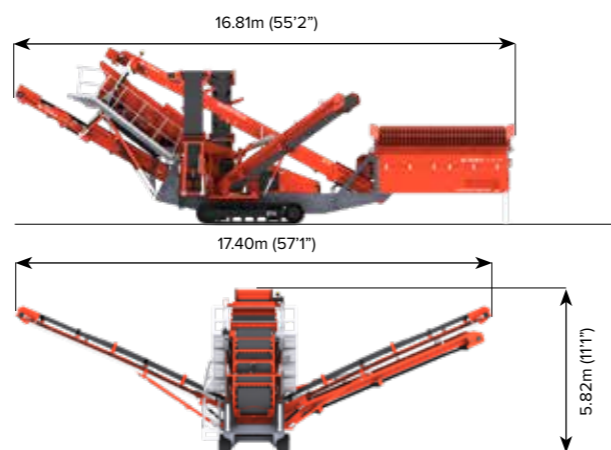
### FEATURES:

- Triple deck screen with galvanized all round fixed catwalk access for ease of operation and maintenance.
- The fourth (oversize plus) conveyor provides variable tilt and slide slew capability to accurately discharge materials for recirculation to crushers or for stockpiling.
- Maximum utilisation of the three decks provides ultra-efficient screening capabilities even at small aggregate sizes.
- Updated hopper and belt feeder gives improved material flow onto main conveyor.
- Screen box angle can be hydraulically adjusted to an angle between 18° - 37°.

### TRANSPORT DIMENSIONS



### WORKING DIMENSION



**MACHINE WEIGHT:** 28,500kg (62,832lbs)  
(With tipping grid)

### 1 HOPPER/FEEDER

Hopper Capacity: 8m<sup>3</sup> (10.5yd<sup>3</sup>)  
 Feed height: 3.45m (11' 4")  
 Drive: Hydraulic variable speed drive via high torque gearbox  
 Beltfeeder belt width: 1.05m (3' 5")

### 2 OVERSIZE PLUS CONVEYOR

Belt width: 500 mm (20")  
 Working Angle: 20-23°  
 Discharge Height: variable 4.47m (max)  
 Operating angle variable between 40° and 60°  
 Stockpile capacity: 123m<sup>3</sup> (162yd<sup>3</sup>)

### 3 MAIN CONVEYOR

Belt width: 1000 mm (40")  
 Working Angle: 21-28°  
 Steel skirted full length of conveyor



### T-LINK TELEMATICS

T-Link telematics hardware and software along with free seven year data subscription are fitted and installed as standard.

### 4 MIDDLE GRADE CONVEYOR

Belt width: 650 mm  
 Working Angle: 24°  
 Speed: Variable speed, 0-121rpm (0-397' per min)  
 Discharge Height: 4.76m (15' 7")  
 Stockpile capacity: 147m<sup>3</sup> (192yd<sup>3</sup>)

### 5 SCREENBOX

Tensioning top & middle deck: side tensioning  
 Bottom deck end tensioned  
 Screen Angle: 18° - 37°, hydraulic adjust  
 Total screening area: 15.7m<sup>2</sup> (170 sq. ft)

### 6 OVERSIZE MINUS CONVEYOR

Belt width: 650 mm  
 Working Angle: 24°  
 Speed: Variable speed, 0-121rpm (0-397' per min)  
 Discharge Height: 4.76m (15' 7")  
 Stockpile capacity: 147m<sup>3</sup> (192yd<sup>3</sup>)

### 7 FINES CONVEYOR

Belt width: 1.2m (48")  
 Working Angle: 14°-33°  
 Standard Discharge Height: 3.74m (12' 3")  
 Stockpile capacity: 73m<sup>3</sup> (95yd<sup>3</sup>)

